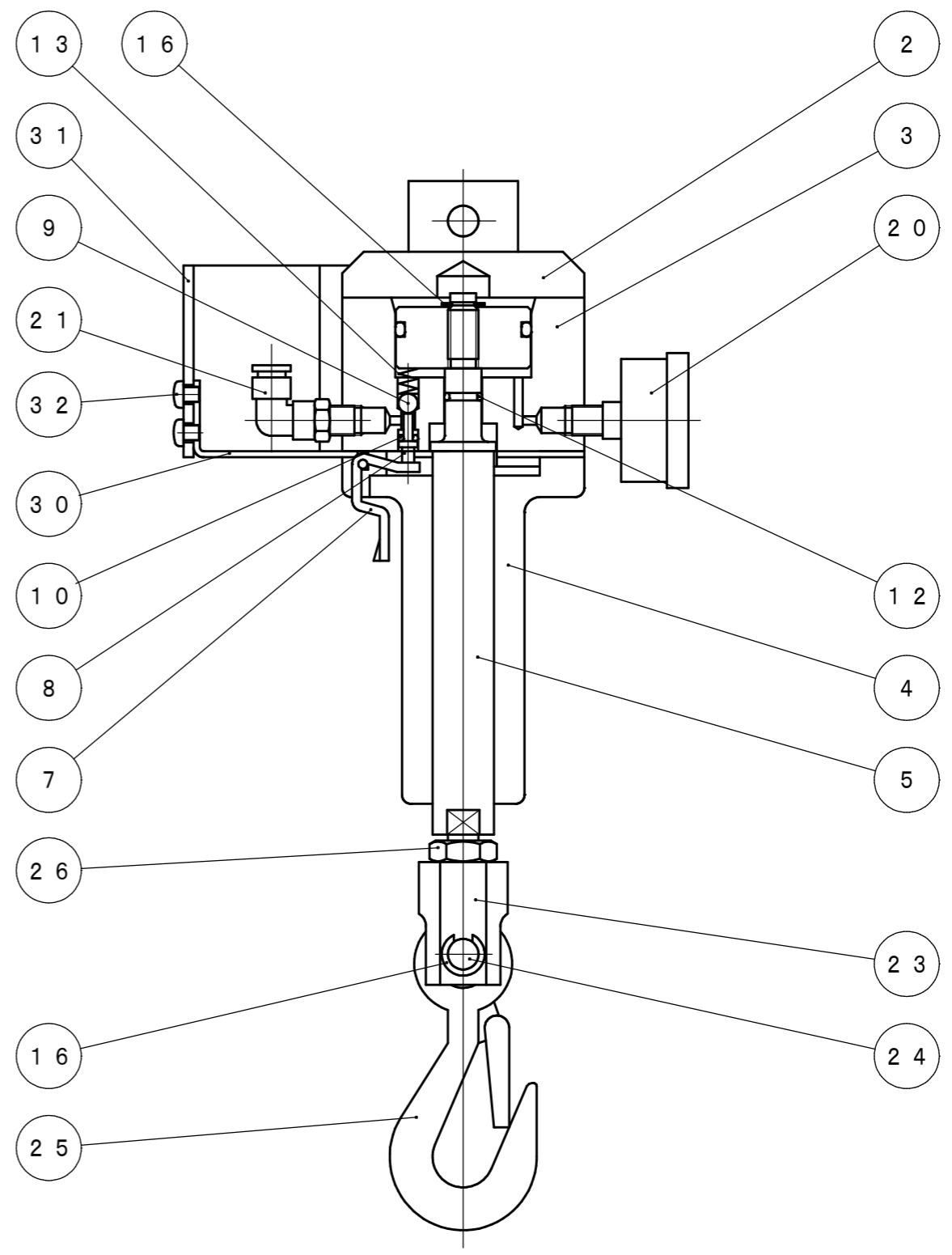
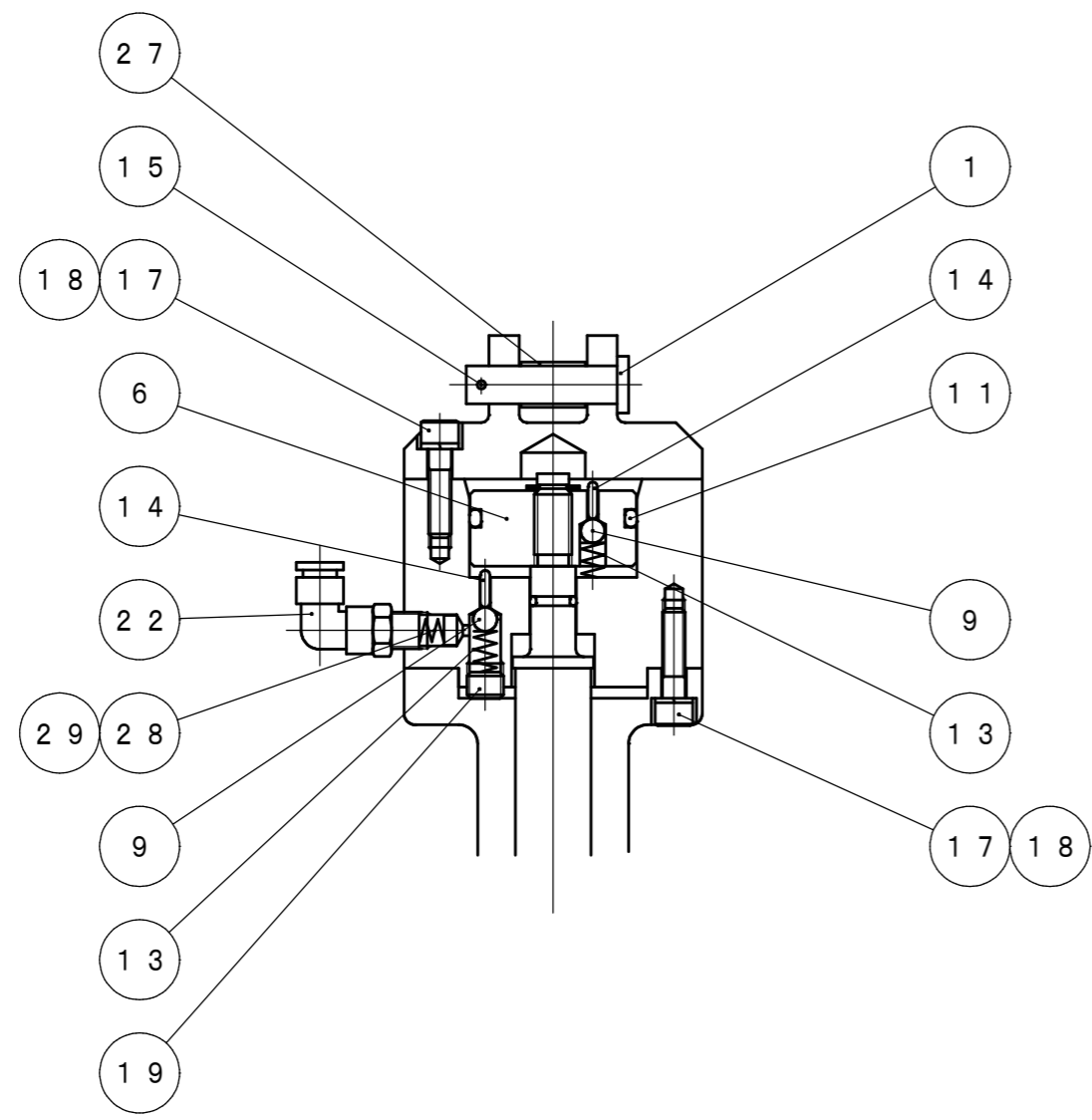


SIGN	R E V I S I O N	DATE	B Y
△			



Reference

PARTS LIST: E316-248

APPROVED	CHECKED	REVIEWED	DRAWN	PARTICULARS	LOAD DETECTING ELEMENT ASSEMBLY	DATE	AUG. 18. 2016
K. S		R. T	T. Y	MODEL	BTA80A-B-S16325	NOTE	
					Air Balancer	S16-325	
SAN-EI SEIKI SEISAKUSHO CO., LTD.				DWG. NO.	E316-247	SCALE	△

SIGN	R E V I S I O N	DATE	B Y
△			

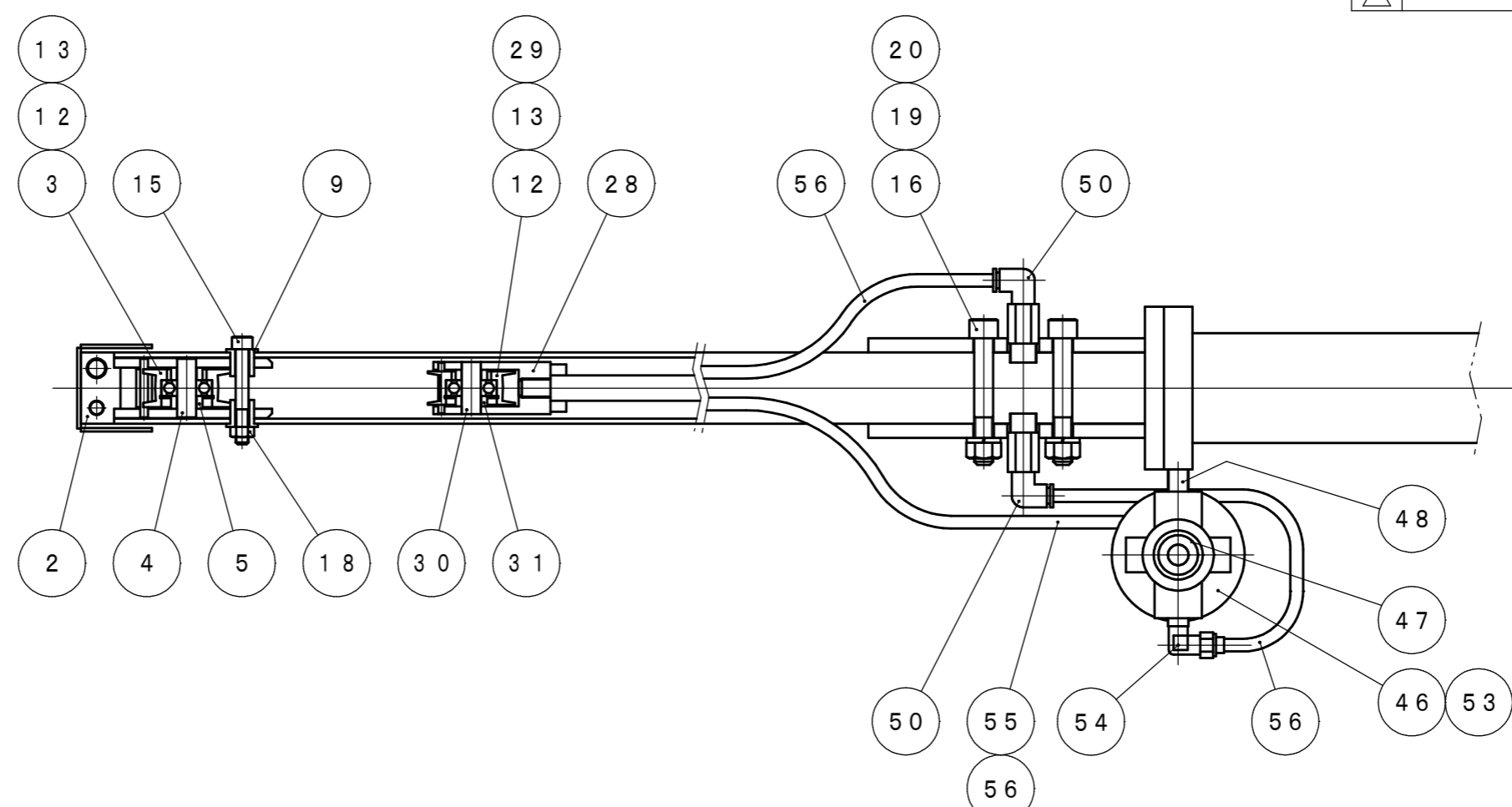
No	PARTS NAME	Q'ty	REMARKS	No	PARTS NAME	Q'ty	REMARKS
1	Joint Pin	1		17	Hex. Socket Cap Screw	8	M6 x 25
2	Top Cover	1		18	Spring Washer	8	6 (CAP)
3	Cylinder	1		19	Hex. Socket Set Screw	1	1/8B
4	Nigel	1		20	Lood Meter	1	DTA 1/8 x φ 4 0
5	Eye Bolt	1		21	Fixed Aperture Joint	1	PL6-01-φ0.8
6	Balance Piston	1		22	Quick Joint	1	PLBM-6-PT1/8-PM
7	Lever	1		23	Joint	1	
8	Push Pin	1		24	Pin	1	
9	Ceramic Ball	3	1/4B	25	Hook	1	250kg
10	O Ring	1	P3	26	Hex. Nut	1	M12-3
11	O Ring	1	P38	27	Belt Coller	1	
12	O Ring	1	P8	28	Filter	1	
13	Spring	3	JA145	29	Spring	1	JA147
14	Needle Roller	2	φ2.5 x 9.8	30	Cover Plate	1	
15	Snap Pin	1	SSP-10	31	Joint cover	1	
16	E Ring	3	E7	32	Cross Recessed Head Screw	4	M4 x 4

Reference

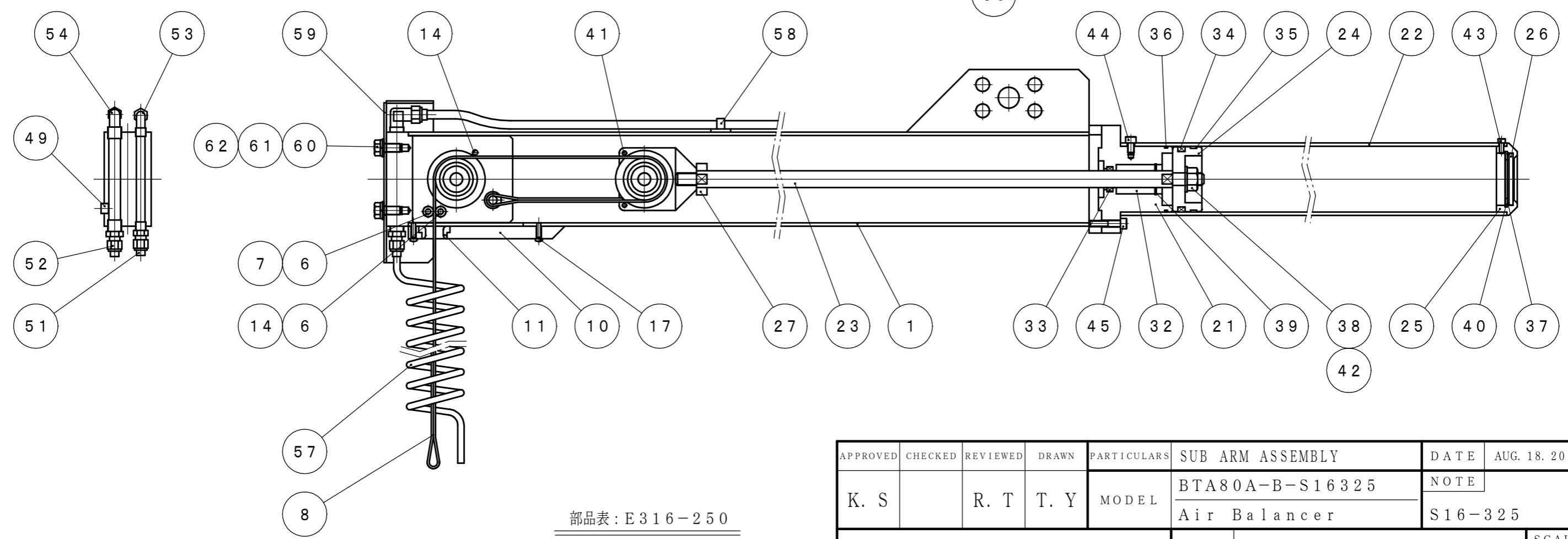
ASSEMBLY DRAWING: E316-247

APPROVED	CHECKED	REVIEWED	DRAWN	PARTICULARS	LOAD DETECTING ELEMENT ASSEMBLY	DATE	AUG. 18. 2016
K. S		R. T	T. Y	MODEL	BTA80A-B-S16325	NOTE	
					Air Balancer	S16-325	
SAN-EI SEIKI SEISAKUSHO CO., LTD.				DWG. NO.	E316-248	SCALE	△

SIGN	R E V I S I O N	DATE	B Y
△			



Reference



部品表 : E 3 1 6 - 2 5 0

APPROVED	CHECKED	REVIEWED	DRAWN	PARTICULARS	SUB ARM ASSEMBLY	DATE	AUG. 18. 2016
K. S		R. T	T. Y	MODEL	BTA80A-B-S16325	NOTE	
					Air Balancer	S16-325	
SAN-EI SEIKI SEISAKUSHO CO., LTD.				DWG. NO.	E 3 1 6 - 2 4 9	SCALE	△

Reference

SIGN	R E V I S I O N	DATE	B Y
△			

No	PARTS NAME	Q'ty	REMARKS	No	PARTS NAME	Q'ty	REMARKS
1	Sub Arm	1		3 3	Packing	1	PNY-16
2	Roller Guide (A)	1		3 4	Packing	1	PGY-63
3	Roller (A)	1		3 5	Waring	1	SWA-63
4	Roller Pin (A)	1		3 6	O ring	1	S60
5	Collar (A)	2		3 7	O ring	1	S46
6	Counter Roller	2		3 8	Daithread	1	DT-1-12
7	Counter Roller Pin	1		3 9	Retaining Ring	1	R28
8	Belt	1		4 0	Retaining Ring	1	R50
9	Gaide Bolt Sleeve	2		4 1	Spring pin	2	φ4 x 32
1 0	Belt Gaide	1		4 2	U Nut	1	M12
1 1	Belt Gaide Sleeve	1		4 3	Hex. Socket Cap Screw	4	M4 x 10
1 2	Ball Bearing	2	6201ZZ	4 4	Hex. Socket Cap Screw	4	M6 x 10
1 3	Retaining Ring	2	R32	4 5	Hex. Socket Cap Screw	4	M6 x 30
1 4	Spring Pin	2	φ5 x 36	4 6	Pirot Regulator	1	IR412-02
1 5	Hex. Socket Cap Screw	1	M8 x 60	4 7	Exhaust Throttle	1	ASN2-03
1 6	Hex. Socket Cap Screw	4	M12 x 80	4 8	Barrel Nipple	1	1/4B
1 7	Cross Recessed Head Screw	4	M4 x 15	4 9	Hex. Socket Set Screw	1	1/8B
1 8	U Nut	1	M8	5 0	Quick Joint	2	PLLM-8-PT1/4PM
1 9	Hex. Nut	4	M12	5 1	Tube Joint	1	PN-6 x 4-PT1/8BS
2 0	Spring Washer	4	12	5 2	Tube Joint	1	PN-6 x 4-PT1/4BS
2 1	Front Cover	1		5 3	Tube Joint	2	PL-4 x 2. 5-PT1/8BS
2 2	Cylinder Pipe	1		5 4	Tube Joint	2	PL-8 x 5-PT1/4BS
2 3	Slide Shaft	1		5 5	U Tube	1	25-04
2 4	Piston	1		5 6	U Tube	3	25-08
2 5	Rear Cover	1		5 7	Coil Tube	1	UT4-06-150
2 6	Muffler	1		5 8	Clip	2	RA9
2 7	Cushion	1		5 9	Joint cover	1	
2 8	Roller Guide (B)	1		6 0	Hex. Bolt	2	M8 x 20
2 9	Roller (B)	1		6 1	Spring Washer	2	8
3 0	Roller Pin (B)	1		6 2	Plain Washer	2	8
3 1	Collar (B)	2					
3 2	Linear Bush	1	LM16UU				

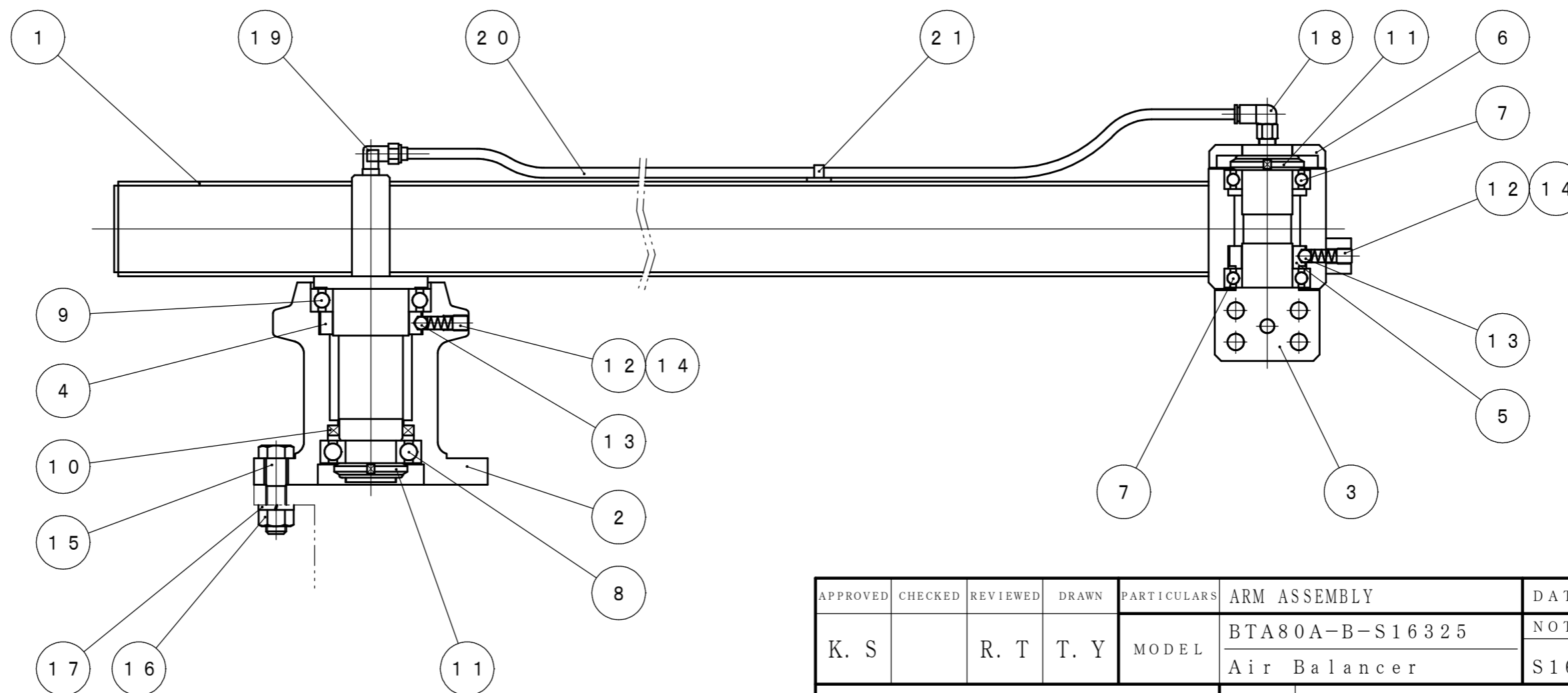
ASSEMBLY DRAWING: E316-249

APPROVED	CHECKED	REVIEWED	DRAWN	PARTICULARS	SUB ARM PARTS LIST	DATE	AUG. 18. 2016
K. S		R. T	T. Y	MODEL	BTA80A-B-S16325	NOTE	
					Air Balancer	S16-325	
SAN-EI SEIKI SEISAKUSHO CO., LTD.					DWG. NO.	E316-250	SCALE △

Reference

SIGN	R E V I S I O N	DATE	B Y
△			

No	PARTS NAME	Q'ty	REMARKS	No	PARTS NAME	Q'ty	REMARKS
1	Arm	1		13	Steel Ball	2	φ10
2	Housing	1		14	Hex. Socket Set Screw	2	M12 x 12
3	Sab Arm Shaft	1		15	Hex. Bolt	8	M16 x 60
4	Brake (A)	1		16	Hex. Nut	8	M16
5	Brake (B)	1		17	Spring Washer	8	16
6	Bearing Cover	1		18	Rotary Joint	1	RL8-02
7	Ball Bearing	2	6008LLU	19	Tube Joint	1	PL-8x5-PT1/4BS
8	Ball Bearing	1	6208LLU	20	U Tube	1	25-08
9	Ball Bearing	1	6012LLU	21	Clip	1	RA9
10	Rotary Shaft Seal	1	DRS50H				
11	Fine U Nut	2	FU08SC				
12	Strong Spring	2	TM10x20				



APPROVED	CHECKED	REVIEWED	DRAWN	PARTICULARS	ARM ASSEMBLY	DATE	AUG. 18. 2016
K. S		R. T	T. Y	MODEL	BTA80A-B-S16325	NOTE	
					Air Balancer		S16-325
SAN-EI SEIKI SEISAKUSHO CO., LTD.				DWG. NO.	E316-251	SCALE	△